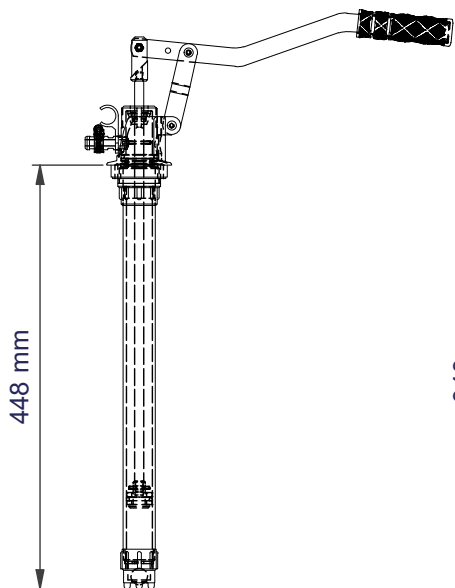


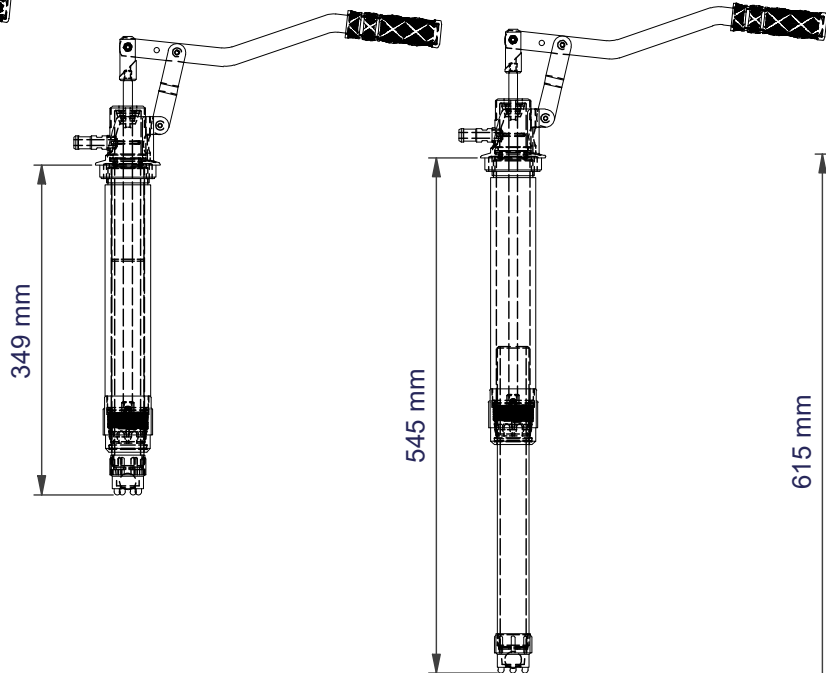
1031

(NOT ADJUSTABLE)



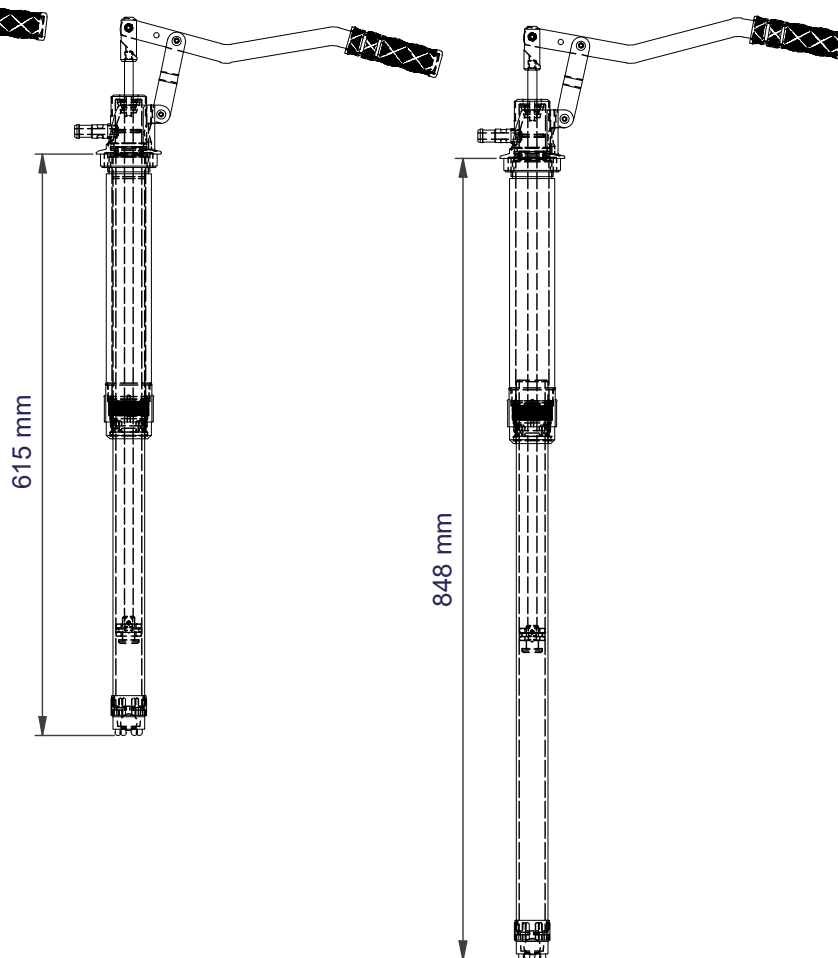
1032

CLOSED EXTENDED



1030

CLOSED EXTENDED



ALL 40cc SWEPT VOLUME  
& WORKING PRESSURE: 0-10bar

Stock Code No :



Copyright;  
This print is the property of Ernest H. Hill Limited  
and must not be copied, loaned or issued to a third  
party without the written permission of this company.

GENERAL TOLERANCES

Machining +/- 0.25mm  
Bending / Forming  
Up to 600mm +/- 0.8mm  
600mm & over +/- 1.5mm

Drawn By  
B Kardoosh

Date  
17/03/2021

**ERNEST H. HILL  
LIMITED**

1030 Oil Transfer Pump

**1030-TYPE PUMP COMPARISON**

**PUMP DEPTH**

Issue	Sheet
0	1 / 1